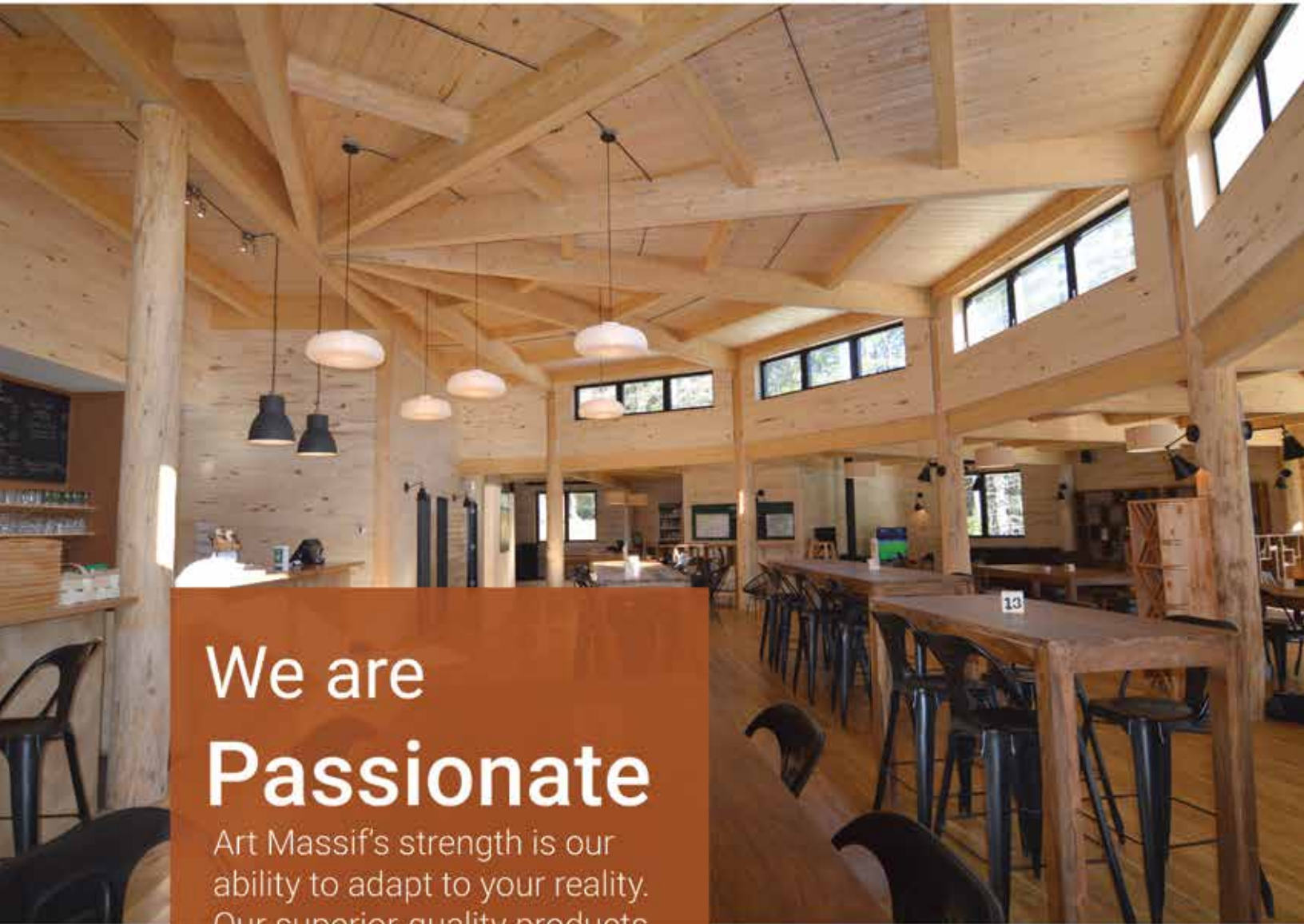




ART MASSIF

WOOD STRUCTURE



We are Passionate

Art Massif's strength is our ability to adapt to your reality. Our superior-quality products are custom built to your needs and specifications.



ART MASSIF

WOOD STRUCTURE



ART MASSIF

Art Massif Wood Structure has been manufacturing since 2010, glued laminated wood structures for all kinds of buildings : shops, restaurants, sports facilities, libraries, houses and gymnasiums. Our expertise extends from design and manufacturing to structure installation.

Our manufacturing plant is located in the province of Quebec, Canada and has an FSC chain of custody, meaning that the wood we use comes from forests managed responsibly and in compliance with the ecosystem and the populations living nearby.

EXPERTISE AND CREATIVITY

Whether you are a developer or a professional in the building community, our experienced team can assist you with your wood building project at all stages of implementation, as required.

Our passion is to push the limits of what's possible in the name of aesthetics and creativity. Whether for a minimalist construction or bold design, you can rely on our team to achieve your dream building.

Glulam wood is a matter of infinite possibilities. It's our inspiration, our challenge and our passion. We thrive on giving it all the forms that can serve your project's needs but always with the objective of work well done.



SUSTAINABLE AND DISTINCTIVE STRUCTURES, CUSTOMIZED TO YOUR NEEDS

OUR PRODUCTS

We manufacture timber structures made of glued laminated beams and columns. We can make square or round wood elements, straight or curved, in one or two axes, with or without machining.

We also produce glulam deckings of different thickness, always with an architectural quality finish. It is used as floor or roof deckings.

We can deliver a full custom structure, according to the specifications provided for the design.

THE HIGHEST STANDARD IN GLULAM

Our beams of laminated wood are manufactured to the quality standards of CSA-0122-6 certified by APA, an organization that ensures the quality of engineered wood products. Our plant is certified to CSA-0177-06 standard. We are in the process of getting product approvals for the United States.



GLUED LAMINATED BEAMS AND COLUMNS

Technical specifications for standard members

Wood species :	Spruce
Stress Grade :	20f-E, 20f-EX, 12c-E, 14t-E
Appearance Grade:	Architectural
Finishing treatment:	Prato Verde natural oils or Sansin stain (conform to LEED)
Color:	Customer's choice by standard charts
Widths:	2 3/8", 3 1/8", 5 1/8", 6 7/8", 8 7/16", 10 7/16", 12 3/8"
Depths*:	Maximum depth of 43 3/4 inches (increment of 1 3/8 inch)
Length*:	Up to 70 ft
Beams:	Possibility of curved beams in one or two axe
Connectors :	Steel connectors hidden in the wood
Manufacturing :	Certified product CSA 0122-06 Certified plant meets CSA 0177-06 (APA plant #1104) Certified glue CSA 0112.9
Moister content :	12%, +- 2%

*Other sizes available upon request; please contact us

Standard dimensions

Depths	Widths (inches)							
	# PLIES	2 3/8	3 1/8	5 1/8	6 7/8	8 1/2	10 3/8	12 3/8
3	4 1/8	4 1/8						
4	5 1/2	5 1/2	5 1/2					
5	6 7/8	6 7/8	6 7/8	6 7/8				
6	8 1/4	8 1/4	8 1/4	8 1/4	8 1/4			
7	9 5/8	9 5/8	9 5/8	9 5/8	9 5/8	9 5/8		
8	10 7/8	10 7/8	10 7/8	10 7/8	10 7/8	10 7/8	10 7/8	
9	12 1/4	12 1/4	12 1/4	12 1/4	12 1/4	12 1/4	12 1/4	12 1/4
10	13 5/8	13 5/8	13 5/8	13 5/8	13 5/8	13 5/8	13 5/8	13 5/8
11	15	15	15	15	15	15	15	15
12	16 3/8	16 3/8	16 3/8	16 3/8	16 3/8	16 3/8	16 3/8	16 3/8
13	17 3/4	17 3/4	17 3/4	17 3/4	17 3/4	17 3/4	17 3/4	17 3/4
14	19 1/8	19 1/8	19 1/8	19 1/8	19 1/8	19 1/8	19 1/8	19 1/8
15	20 1/2	20 1/2	20 1/2	20 1/2	20 1/2	20 1/2	20 1/2	20 1/2
16	21 7/8	21 7/8	21 7/8	21 7/8	21 7/8	21 7/8	21 7/8	21 7/8
17	23 1/4	23 1/4	23 1/4	23 1/4	23 1/4	23 1/4	23 1/4	23 1/4
18	24 5/8	24 5/8	24 5/8	24 5/8	24 5/8	24 5/8	24 5/8	24 5/8
19	26	26	26	26	26	26	26	26
20	27 3/8	27 3/8	27 3/8	27 3/8	27 3/8	27 3/8	27 3/8	27 3/8
21	28 3/4	28 3/4	28 3/4	28 3/4	28 3/4	28 3/4	28 3/4	28 3/4
22		30	30	30	30	30	30	30
23		31 3/8	31 3/8	31 3/8	31 3/8	31 3/8	31 3/8	31 3/8
24		32 3/4	32 3/4	32 3/4	32 3/4	32 3/4	32 3/4	32 3/4
25		34 1/8	34 1/8	34 1/8	34 1/8	34 1/8	34 1/8	34 1/8
26		35 1/2	35 1/2	35 1/2	35 1/2	35 1/2	35 1/2	35 1/2
27		36 7/8	36 7/8	36 7/8	36 7/8	36 7/8	36 7/8	36 7/8
28		38 1/4	38 1/4	38 1/4	38 1/4	38 1/4	38 1/4	38 1/4
29			39 5/8	39 5/8	39 5/8	39 5/8	39 5/8	39 5/8
30			41	41	41	41	41	41
31			42 3/8	42 3/8	42 3/8	42 3/8	42 3/8	42 3/8
32			43 3/4	43 3/4	43 3/4	43 3/4	43 3/4	43 3/4



GLUED LAMINATED DECKINGS

Technical specifications

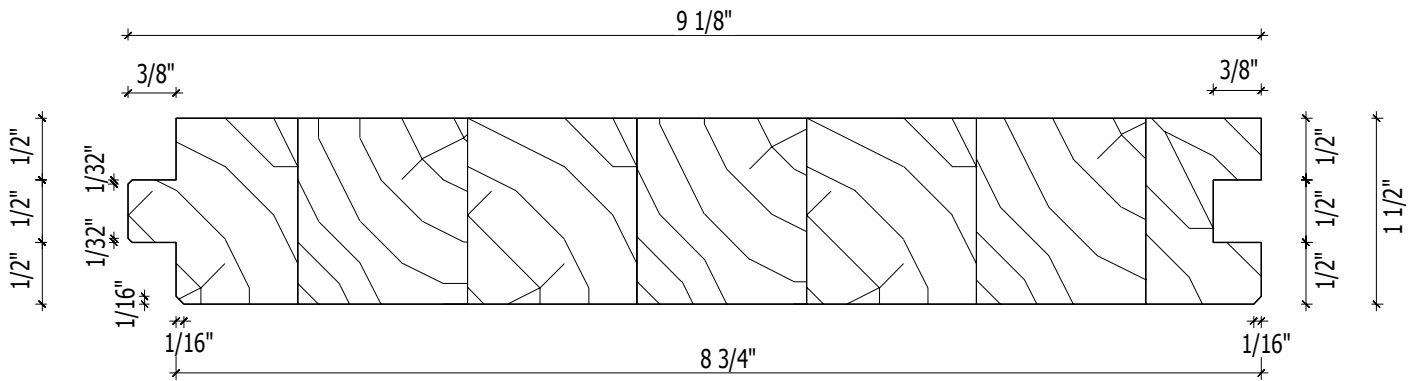
Wood species :	Spruce
Uses:	Floors or roofs deckings and as diaphragms
Appearance Grade:	Architectural
Finishing treatment:	Prato Verde natural oils or Sansin stain
Color:	Customer's choice by standard charts
Thickness:	1 ½", 2 3/8", 3 1/8", 5 "
Length*:	Up to 38 ft
Moister content :	12%, +- 2%

*Other sizes available upon request; please contact us

Decking dimensions

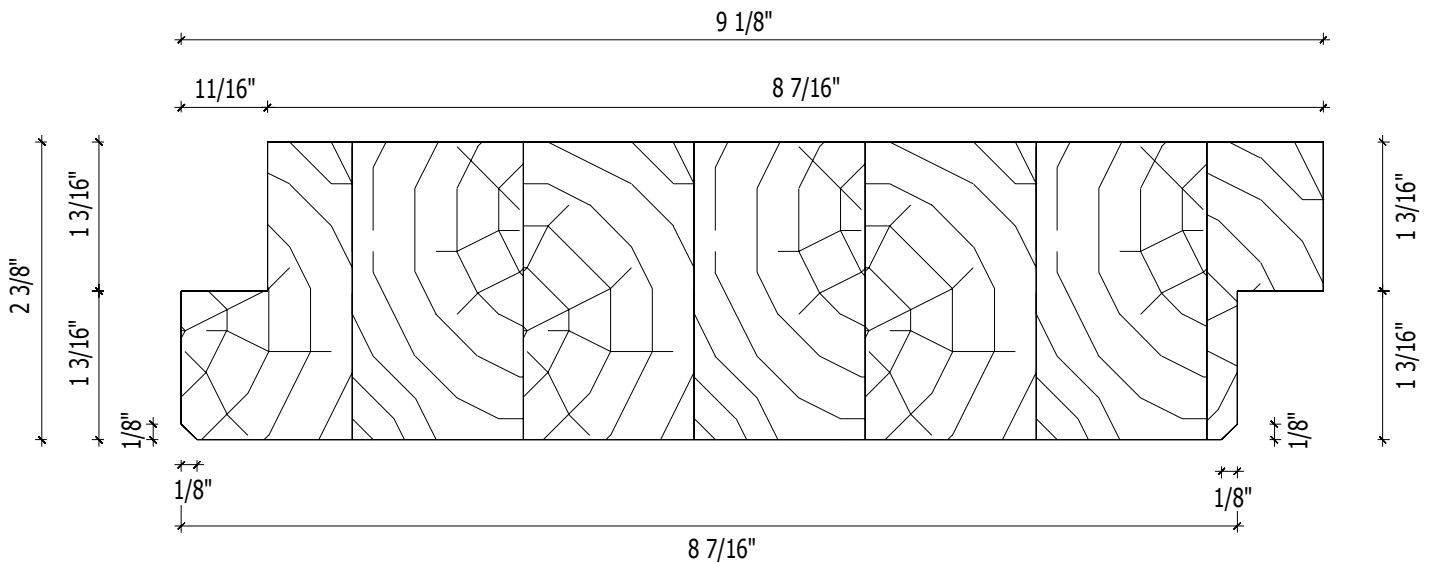
P1 : SPF #2&btr or MSR

THICKNESS	WIDTHS	
	TOTAL	COVERING
1 1/2"	9 1/8"	8 7/16"



P2 : SPF #2&btr or MSR

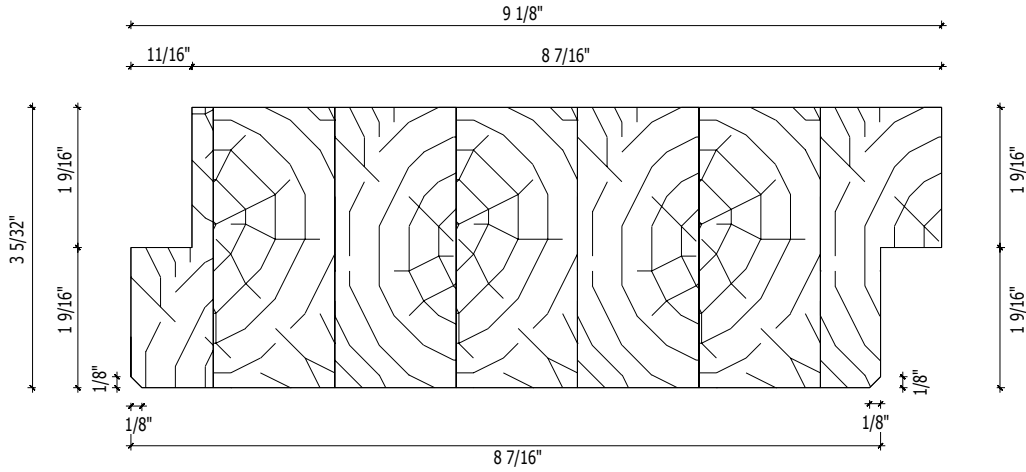
THICKNESS	WIDTHS	
	TOTAL	COVERING
2 3/8"	9 1/8"	8 7/16"



Decking dimensions

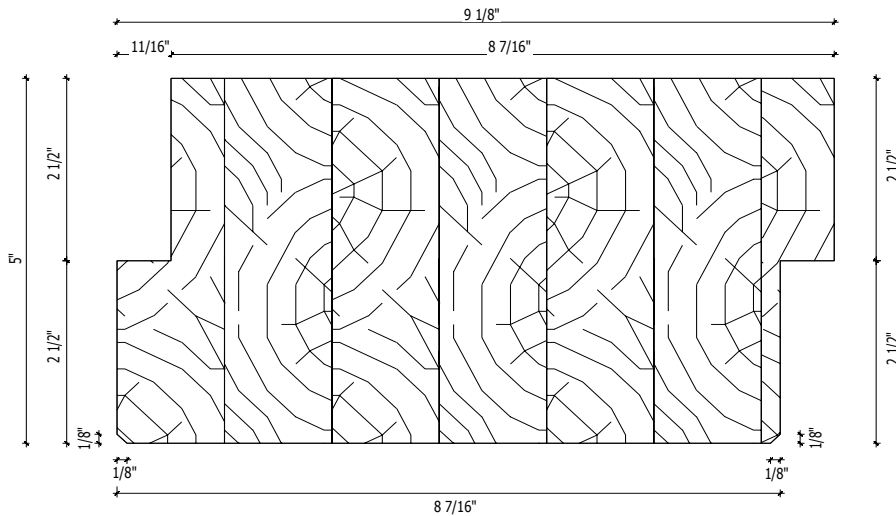
P3 : SPF #2&btr or MSR

THICKNESS	WIDTHS	
	TOTAL	COVERING
3 1/8"	9 1/8"	8 7/16"



P4 : SPF #2&btr or MSR

THICKNESS	WIDTHS	
	TOTAL	COVERING
5"	9 1/8"	8 7/16"



ART MASSIF
WOOD STRUCTURE

www.artmassif.ca / info@artmassif.ca / 418.358.0712